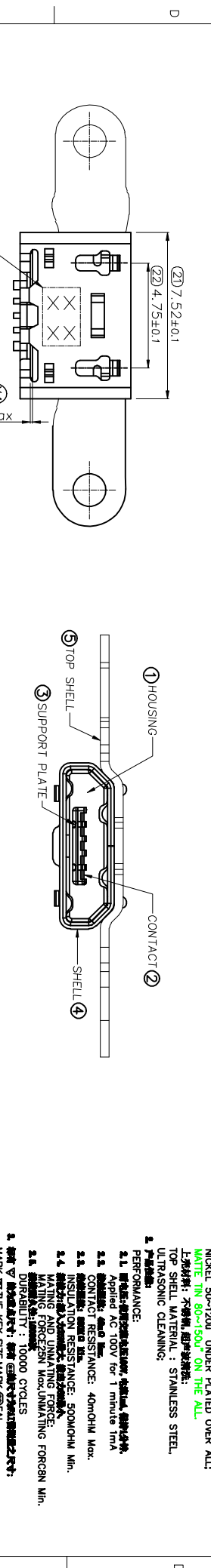
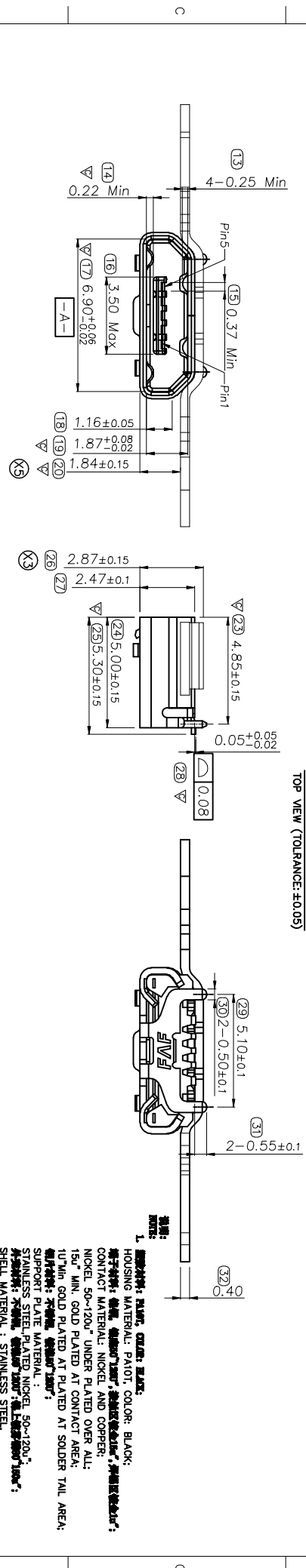
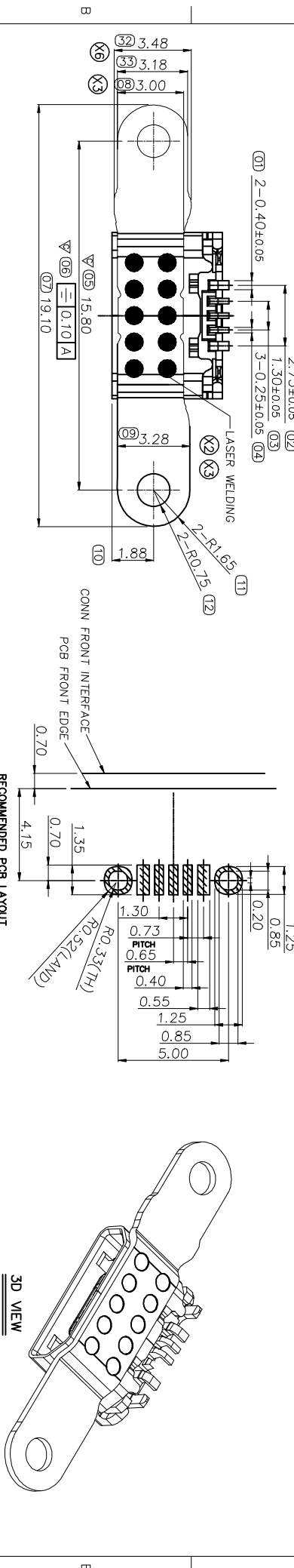


REV	ECN NO	DESCRIPTION	DATE	APPD
X1		NEW	2016.07.29	John Kong
X2	FCEN1609004	UPDATE	2016.09.09	John Kong
X3	FCEN1601003	UPDATE	2016.11.07	John Kong
X4	FCEN16012032	UPDATE	2016.12.30	John Kong
X5	FCEN1702002	TOLERANCE OPTIMIZATION	2017.02.10	John Kong
X6	FCEN1702019	TOLERANCE OPTIMIZATION	2017.03.01	John Kong



ITEM	PART NAME	PART NO.
1	HOUSING	3.090M0-005-SR1
2	SUPPORT PLATE	3.090S1-000-NR6
3	SHELL	3.090S2-000-SR6
4	TOP SHELL	3.090S3-000-RR6

EXTEND USE	TITLE	DWG NO
MICRO USB 5P	MICRO USB 5P	C-3.090A2

GENERAL TOLERANCE	ANGLES	FINISHED	DRN	SHEET SCALE	REV
±0.30	±3°	CHD	王康永	1:1	X6
±0.25	±2°				
±0.15	±1°				
±0.08					

GENERAL TOLERANCE	ANGLES	FINISHED	DRN	SHEET SCALE	REV
±0.30	±3°	CHD	王康永	1:1	X6
±0.25	±2°				
±0.15	±1°				
±0.08					

